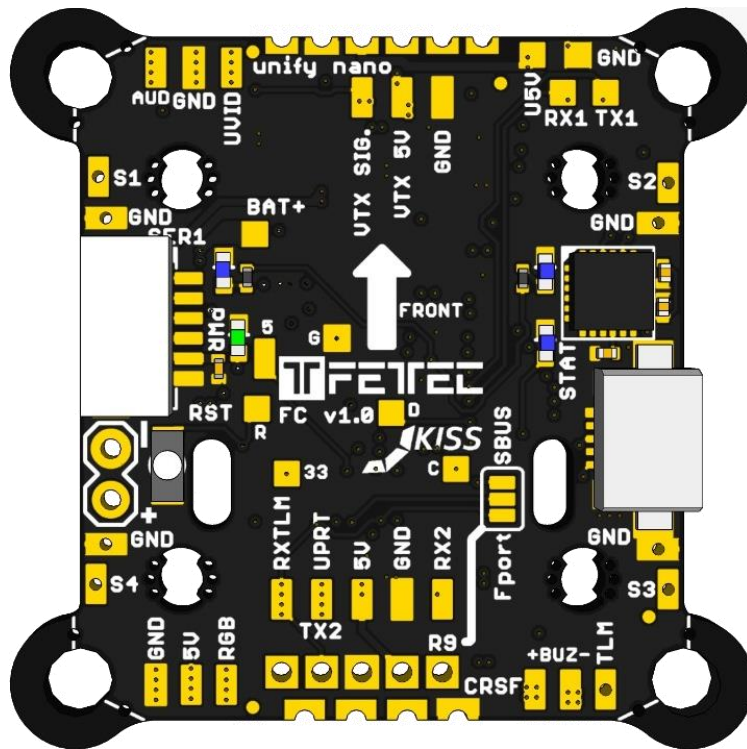


# FETtec KISS FC

## Manual



## Table of Contents

Introduction .....	3
Features .....	3
Safety warning .....	3
Connection Diagram .....	4
Top/Bottom Layout .....	4
Dimension (in mm).....	5
Basic Setup.....	6
8 pin connection.....	6
Reciever connection (RX) .....	7
FrSky R-XSR .....	7
Crossfire nano connection .....	8
VTX connection (unify nano).....	8
Camera connection.....	9
Resetbutton .....	9
KISS Firmware.....	10
Technical details.....	10

# Introduction

Thank you for purchasing the FETtec FC. This is a KISS licensed F7 Flight-controller

## Features

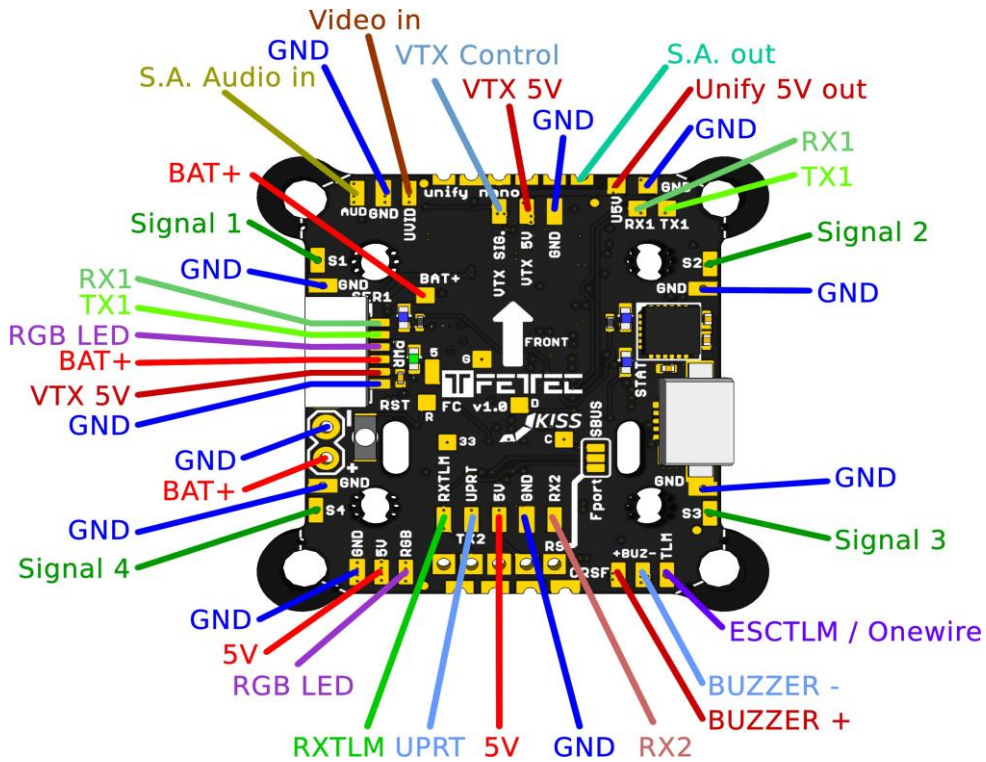
- KISS FC firmware
- 2S-6S Lipo voltage
- Dimensions 35x30mm without 30x30 corners
  - 20x20mm (with breakable holes M2 to M3)
  - 30x30mm hole distance useable (breakable 30x30mm corners)
- F7 Processor [DShot 2400, Oneshot, Onewire]
- Direct places for RX and VTX (unify nano, CRSF nano, FrSky R9)
- Build-in real Pit-Mode for unify nano (via VTX Pin and 5V on SER1)
- Dedicated onboard 5V BEC for VTX (max 600mA)
- Motor Signal and GND pads in each corner
- 8 pin connector for solder free FETtec ESC connection

## **Safety warning**

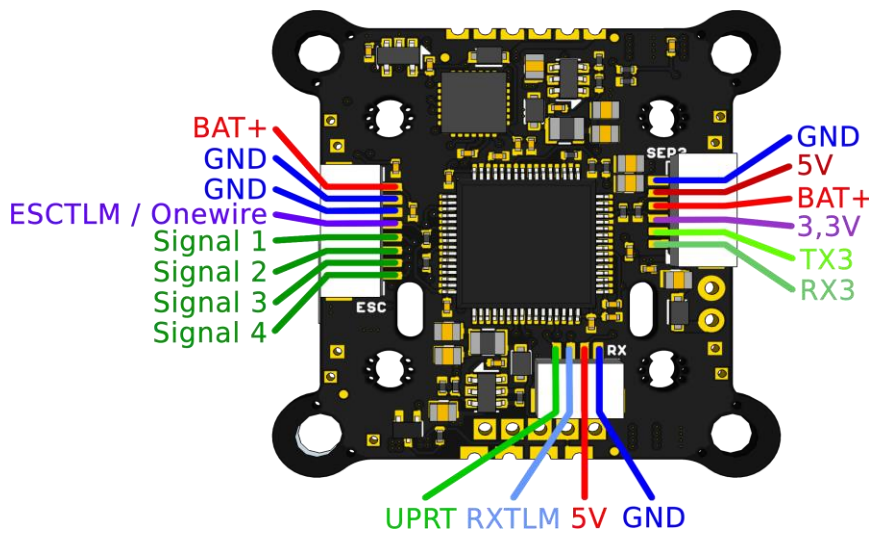
- Remove propeller before flashing and configuration

# Connection Diagram

## Top/Bottom Layout

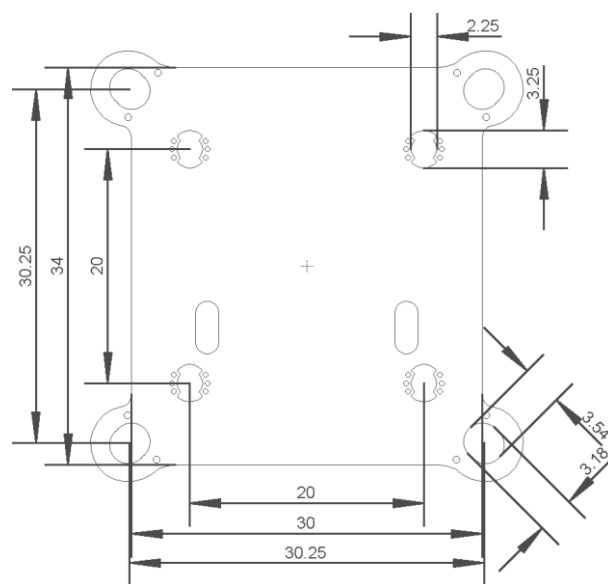


- Signal1-4 – Motor Signal 1-4
- ESCTLM – Telemetry (Serial)
- GND – Reference Signal Ground
- UPRT – Receiver signal port (SBUS / F-Port / PPM / Crossfire TX)
- RXTLM – Receiver telemetry (sPort / Crossfire RX)



Serial connectors (SER1&SER3) are JST-SH-1mm 6-pin

## Dimension (in mm)



Dimensions 35x30mm without 30x30mm corners

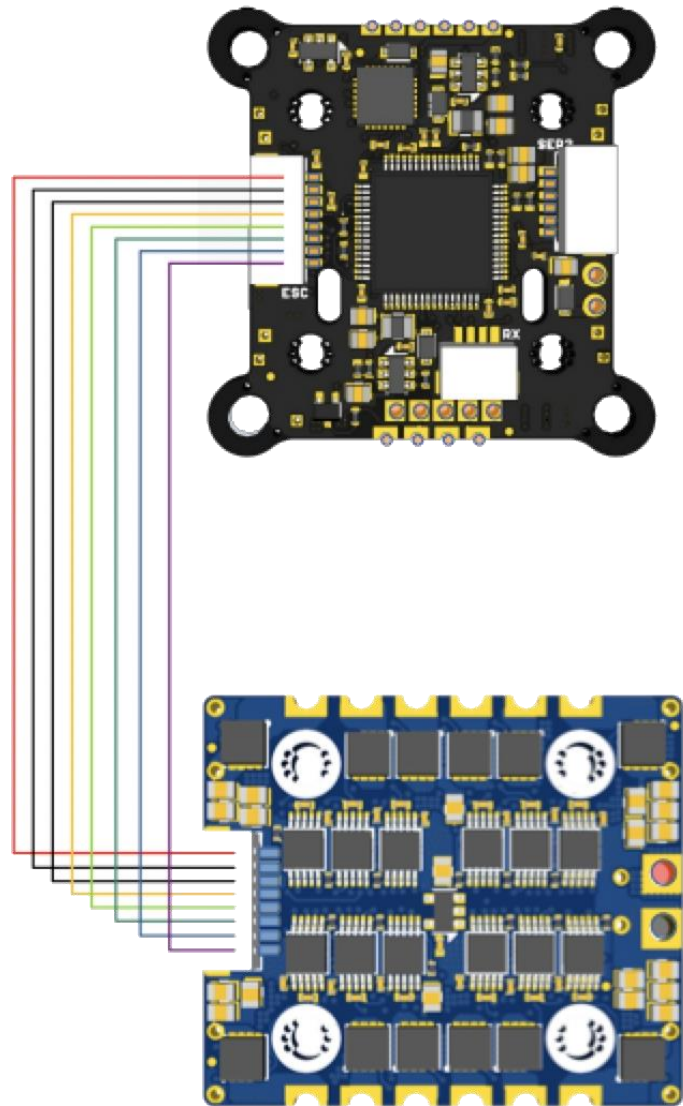
- 20x20mm (with breakable holes M2 to M3)
- 30x30mm hole distance useable (breakable 30x30mm corners)

# Basic Setup

## 8 pin connection

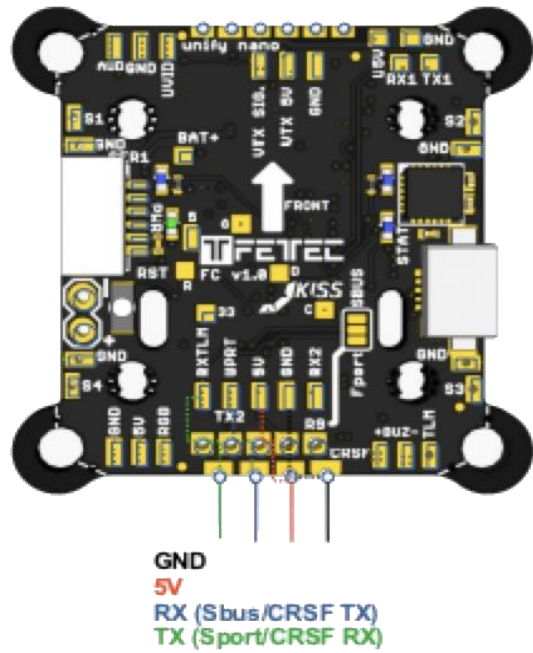
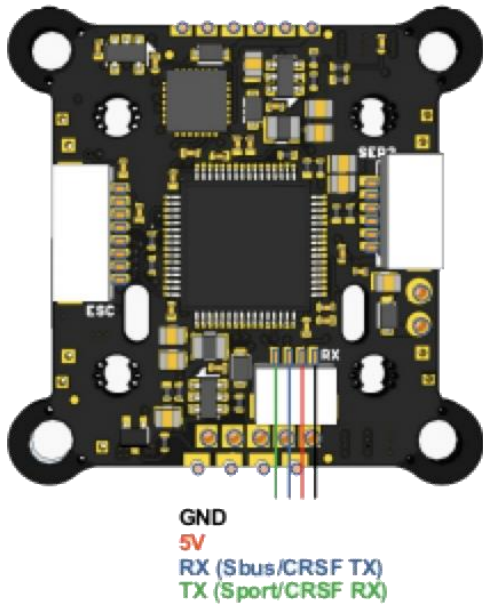
(JST-SH-1mm 8-pin)

FETtec KISS FC to FETtec ESC  
(cable included by FETtec ESC)

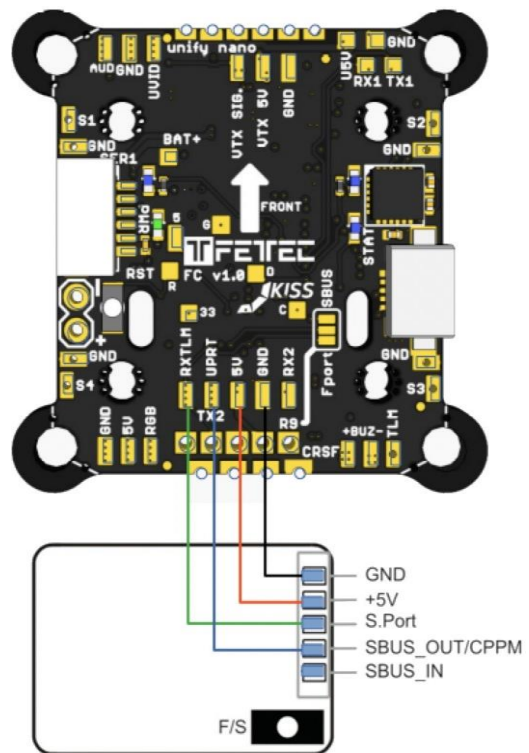
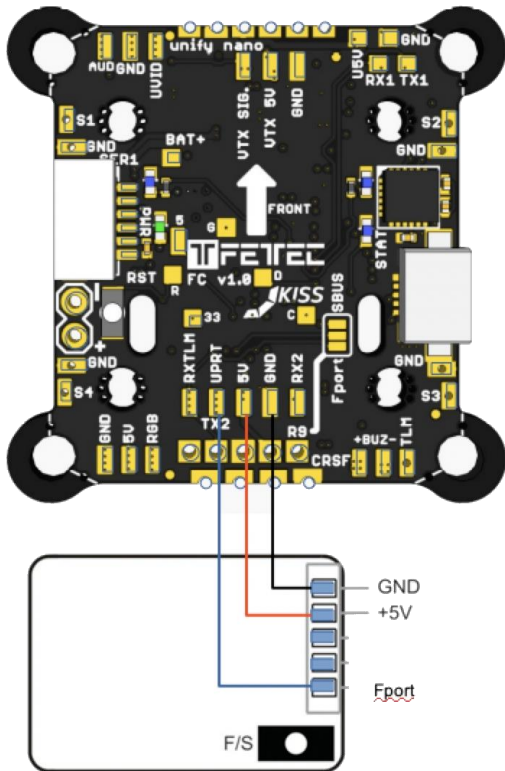


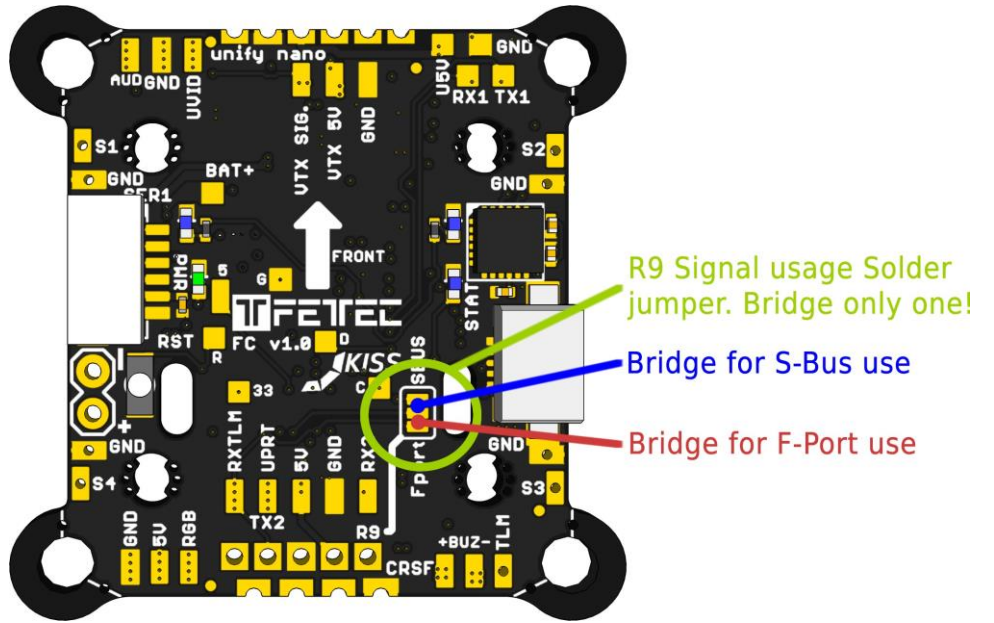
# Receiver connection (RX)

Top&Bottom connectors for receivers (bottom connector JST-SH-1mm 4-pin)



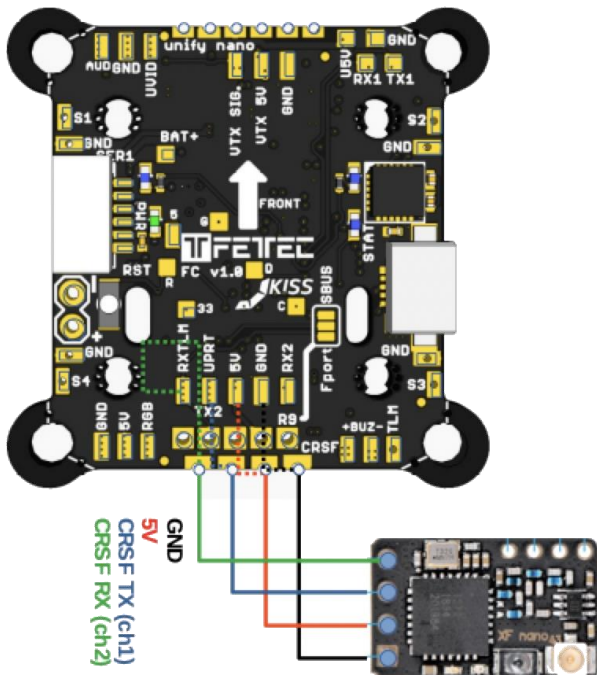
# FrSky R-XSR



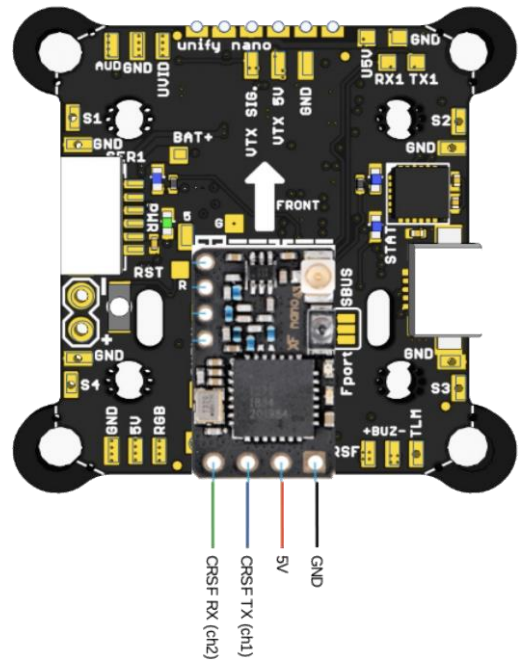


## Crossfire nano connection

cable connection

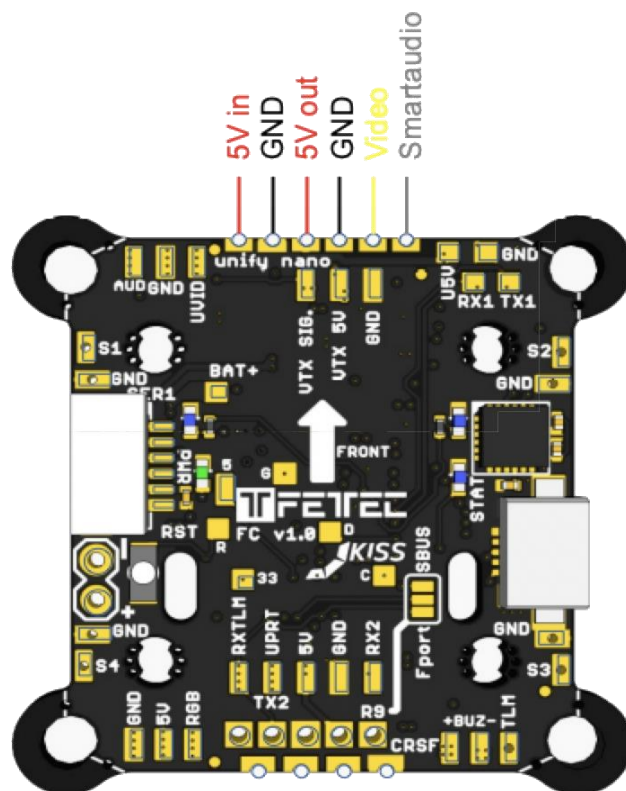


2,54mm pinheader connection





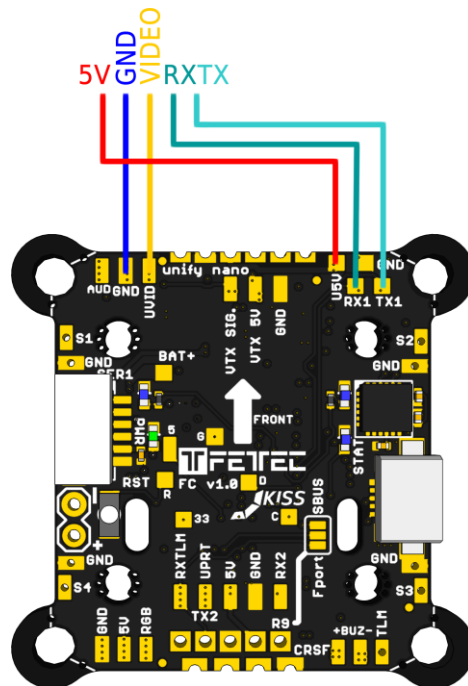
## VTX connection (unify nano)



## Camera connection

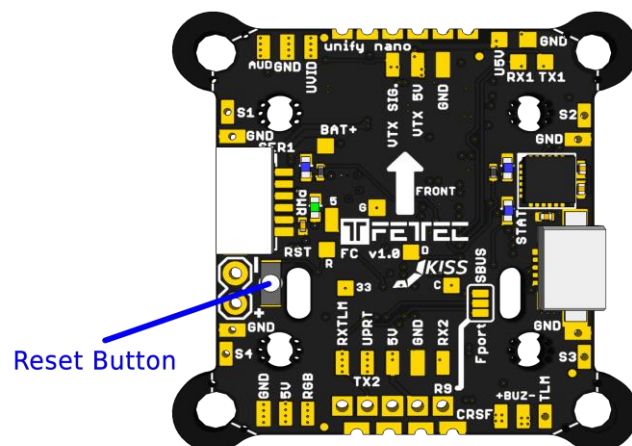
Notes:

- RX and TX connection is only for cameras that support serial
- 5V (U5V) and Video (UVID) are only for use with a mounted unify PRO nano or unify PRO nano 32



## Resetbutton

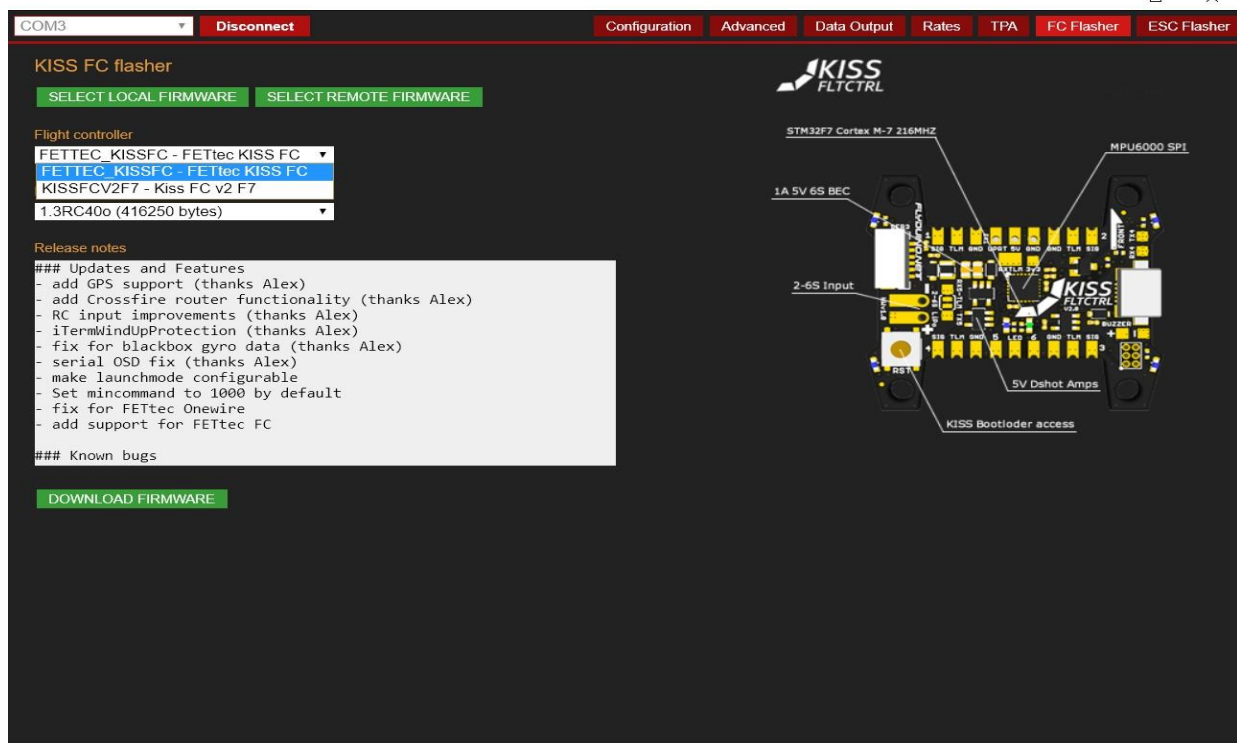
Resets the FC to the preflashed bootloader



# KISS Firmware

For the latest KISS FC firmware and GUI please visit <https://github.com/flyduino>

To update the FETtec FC firmware please use the KISS GUI and choose FETTEC KISS FC



## Technical details

- STM32F7RET6 @ 216MHz
- MPU6000
- Supply voltage 6-27V (2-6S LiPo)
- 2x 5V BEC's (1x VTX with realpit, 1x all others)  
both max 600mA